



# FujiMac Operator's Manual

**SEPTIC SEWAGE PUMPS**  
*A Division of Southwestern Controls*

# Inspection and Maintenance as required

## (1) Air Filter

### INSPECT AND CLEAN EVERY 3 OR 4 MONTHS AND REPLACE EVERY YEAR

In order to optimize the lifespan of the air filter when it is used in areas where dust accumulation may be high, frequent maintenance is required. If the air filter gets too dirty, replacement will be necessary.



**Failure to adhere to this note may cause abnormal heat generation, an air flow volume decrease and/or early breakage of the diaphragm.**

## (2) Diaphragm / Valve

### REPLACE THE DIAPHRAGM/VALVE EVERY YEAR

If the diaphragm/valve becomes damaged, the automatic-stop function engages (except MAC40R11). Further action must be taken to rectify the problem or deterioration of the use point due to an inoperable air pump may result. A discernable odour will be present in this event. The diaphragm/valve assembly should be replaced before it gets damaged.



**Neglecting this note may adversely affect the performance of the use point.**

## (3) Pressure



### High pressure is strictly prohibited

Irregular heat generation and/or early diaphragm breakage may result if operation of the air pump is sustained at an abnormally high pressure.

**Attention**

**Neglecting this note may cause material damage.**

The accepted value for the working pressure between the use point and the air pump is  $\pm 20\%$  of the normal pressure which is specified on the air pump name plate.



### Caution! Working air pump is hot

When in operation, the lower part of the air pump gets hot. Do not touch directly.

**Warning**

**Neglecting this note may cause injury and burn.**

## (4) Power Plug



### FIRE ACCIDENT PREVENTION

Check whether any dirt and/or dust has built up on the power plug at least once a year and insert to the base and fit firmly. Dirt/dust accumulation and/or a faulty connection may cause electric shock and/or a fire accident.

**Warning**

## (5) Auto-stop Function

### MAKE SURE TO INSPECT THE FUNCTION EVERY TIME THE DIAPHRAGM/VALVE ASSEMBLY IS REPLACED

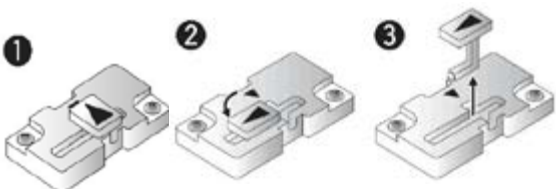
Remove the auto-stop piece and put in the plug to ensure the auto-stop function works properly. After checking, disconnect the plug from the power point and set the auto-stop piece in the right position. (See below)



**Make sure to turn off the power when replacing the diaphragm/valve assembly and/or handling the auto-stop piece. Neglecting this note may cause an electric shock.**

**Warning**

### (1) How to remove an auto-stop piece

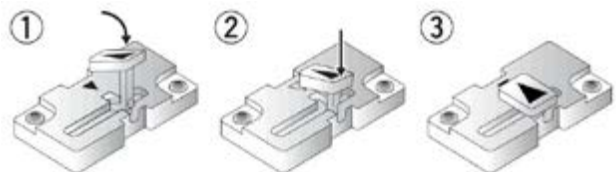


Normal position.

Turn auto-stop piece and face  $\blacktriangle$  symbol along slit.

Remove auto-stop piece from air pump auto-stop holder.

### (2) How to set an auto-stop piece

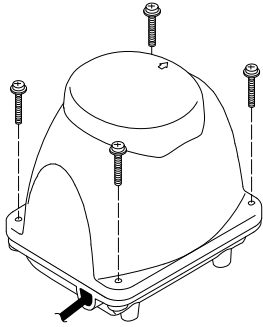


Face  $\blacktriangle$  symbol from auto-stop piece towards  $\blacktriangle$  symbol on auto stop holder and slide the piece

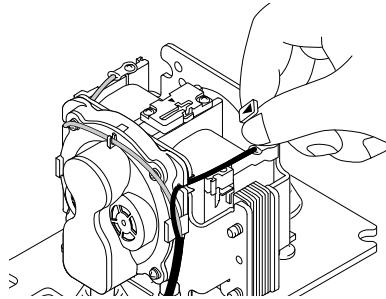
Push in until it clicks.

Ready for use.

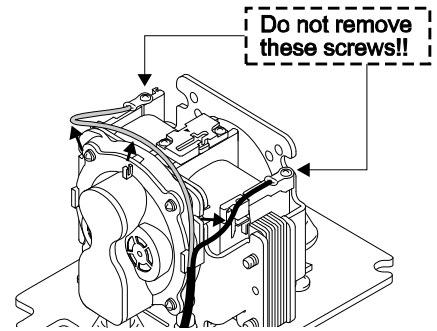
# Diaphragm Replacement Procedure



1. Remove cover bolts using a 8mm-box wrench.

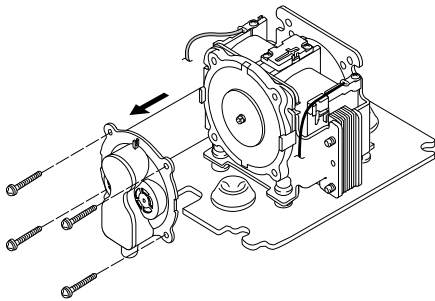


2. Remove an auto-stop piece as instructed above.

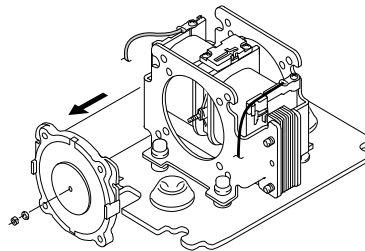


3. Remove a power cable from 3 hooks.

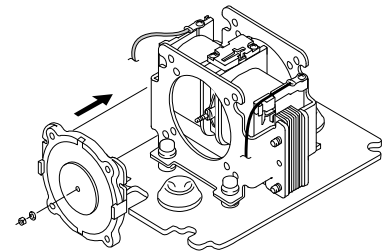
**Attention Do not remove screws!!**



4. Remove 4 screws from a casing using a cross slot screwdriver.

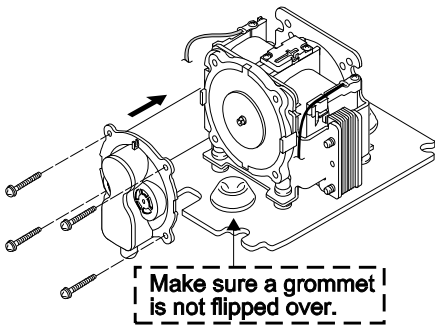


5. Remove nut and take a diaphragm off from a body.

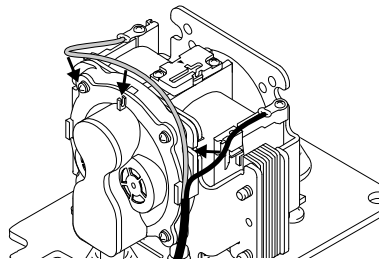


6. Place a new diaphragm using new nut provided.

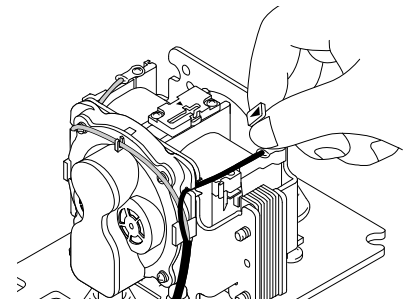
\*Tightening torque – about 1 Nm



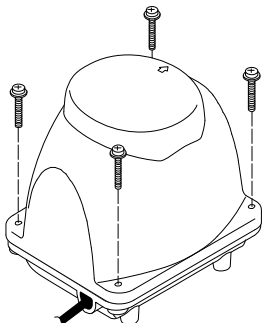
7. Insert a casing air outlet into a rubber grommet and fix a casing assembly with 4 screws.



8. Fit a power cable in 3 hooks.



9. Set an auto-stop piece as instructed above.



10. Fix cover bolts using a 8mm-box wrench.

**Warning** Make sure to turn off the power when replacing the diaphragm/valve assembly. Neglecting this note may cause an electric shock.

**Attention** Make sure to replace both side of diaphragm/casing assembly at the same time. Neglecting this note may cause early breakage of the diaphragm.

\* Replace diaphragm/valve assembly every year.  
\* Make sure to carry out test operation and ensure that the air pump works properly after replacing.



## Fuji MAC Air pump spare parts list

No.	Model R	Model R II	Part Name	Part No.	Qty	Order per Air pump
1-1	MAC40R	MAC40R II	N6 DIAPHRAGM ASSEMBLY	H150K	2pcs/set	1set
	MAC60R					
1-2	MAC80R		N8 DIAPHRAGM ASSEMBLY	H151	2pcs/set	1set
	MAC100R					2set
	MAC120R					
	MAC150R					
	MAC200R					
1-3		MAC60R II	T10 DIAPHRAGM ASSEMBLY	H154K	2pcs/set	1set
		MAC80R II				2set
		MAC100R II				
		MAC150R II				
		MAC200R II				
1-4		MAC120R II	T30 DIAPHRAGM ASSEMBLY	H157K	2pcs/set	1set
		MAC250R II				2set
		MAC300R II				
2-1	MAC40R	MAC40R II	N6 AIR FILTER(WHITE)	H507	1pcs	1pcs
	MAC60R					
2-2		MAC60R II	N8 AIR FILTER(WHITE)	H508	1pcs	1pcs
		MAC80R				
		MAC100R				
		MAC120R II				
		MAC120R				2pcs
		MAC150R				
		MAC200R				
		MAC200R II				
		MAC250R II				
		MAC300R II				

**SEPTIC SEWAGE PUMPS**  
A Division of Southwestern Controls

6720 Sands Point Drive, Suite 100 • Houston, Texas 77074  
800.292.9087 • 713.219.1325  
info@septicsewagepumps.com