

# SEPTIC SEWAGE PUMPS

A Division of Southwestern Controls



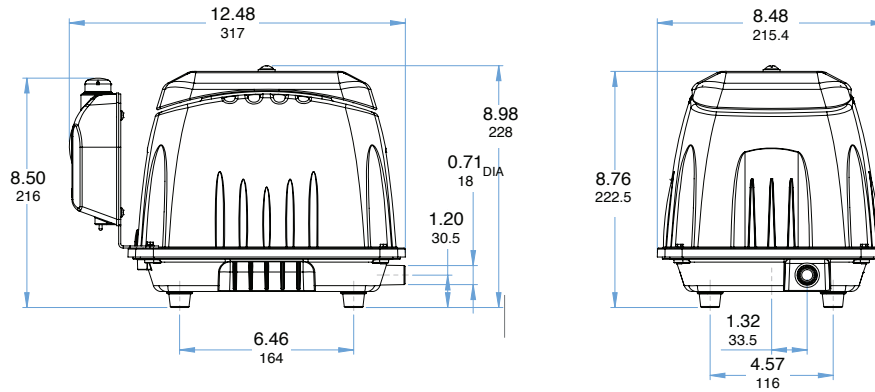
## DBMX80-175

7.2 psi max. pressure (.50 bar) 145 LPM open flow (60 Hz)

## DBMX100-175

7.9 psi max. pressure (.54 bar) 155 LPM open flow (60 Hz)

### Product Dimensions (inches, mm)



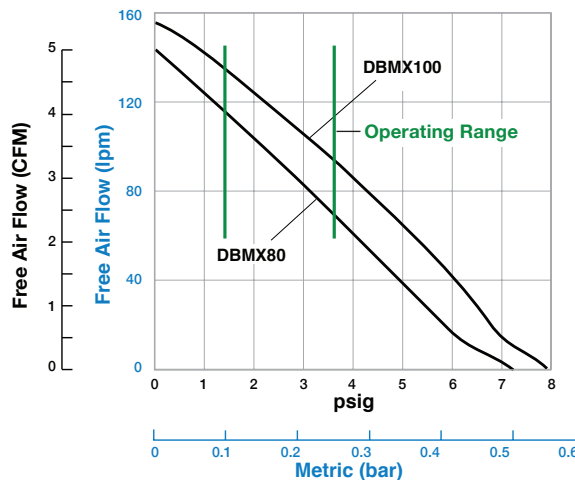
### Product Specifications

Model Number	Operating Voltage Frequency (Hz)	Typical Operating Power (W)	Typical Operating Pressure (psi/bar)	Sound Level dB(a)	Net Wt.	
					lb	kg
DBMX80-AL2	120-60	71	2.56 / 0.18	50	20.7	9.4
DBMX100-AL2	120-60	94	2.56 / 0.18	50	20.7	9.4

- All models include pigtail style electrical leads
- Low noise and vibration
- **UL** listed to **UL** 1450 air compressor/vacuum pump and Canadian Standard C22.2 No 68-92
- **CE** In compliance with the European Community's Machinery Directive
- All models include low pressure alarm
- Alarm system includes buzzer and warning light
- Alarms include On, Mute, and Test Mode switches
- Low pressure < 1psi

### Product Performance

(Operating Range: 1.4 to 3.6 psi)



1-800-292-9087

SEPTIC SEWAGE PUMPS.COM