

# SEPTIC SEWAGE PUMPS

A Division of Southwestern Controls



## DBMX80

7.2 psi max. pressure (.50 bar) 145 LPM open flow (60 Hz)

6.8 psi max. pressure (.47 bar) 140 LPM open flow (50 Hz)

## DBMX100

7.9 psi max. pressure (.54 bar) 155 LPM open flow (60 Hz)

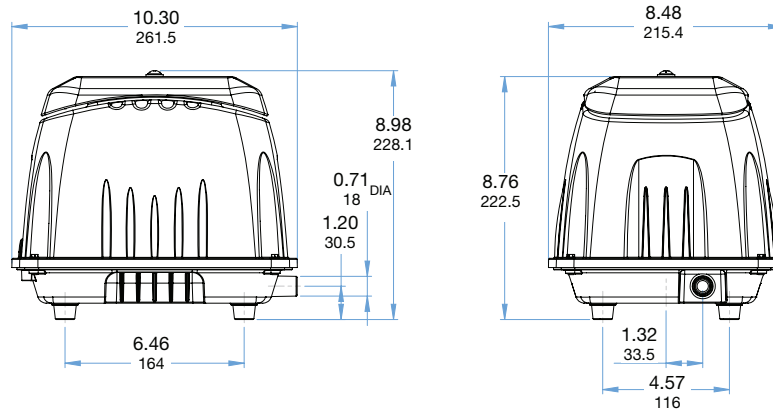
7.8 psi max. pressure (.53 bar) 150 LPM open flow (50 Hz)

## DBMX120

8.3 psi max. pressure (.57 bar) 168 LPM open flow (60 Hz)

8.5 psi max. pressure (.59 bar) 175 LPM open flow (50 Hz)

## Product Dimensions (inches, mm)

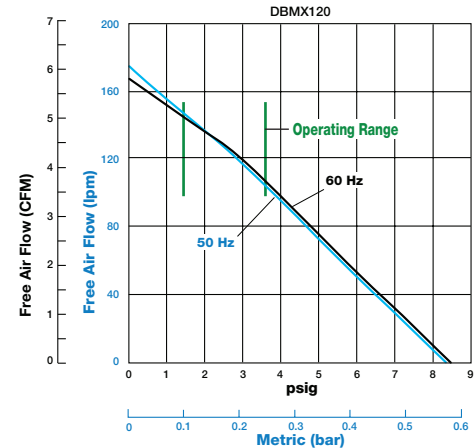
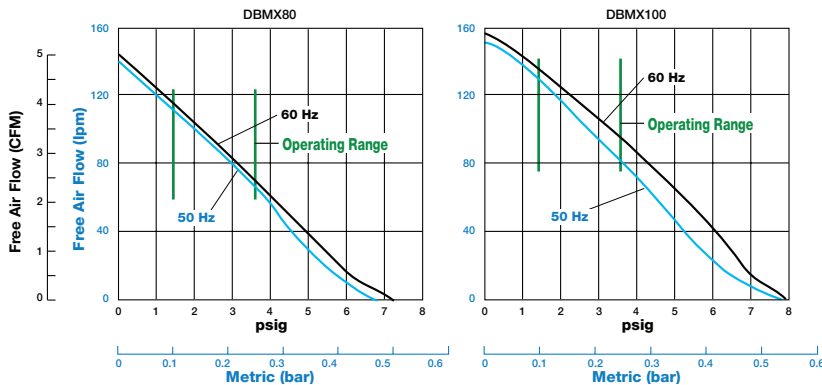


## Product Specifications

Model Number	Operating Voltage Frequency (Hz)	Typical Operating Power (W)	Typical Operating Pressure (psi/bar)	Sound Level dB(a)	Net Wt.	
					lb	kg
DBMX80-1250	120-60	71	2.56 / 0.18	50	16.5	7.5
DBMX80-801	230-50	68	2.56 / 0.18	50	16.5	7.5
DBMX100-1250	120-60	94	2.56 / 0.18	50	16.5	7.5
DBMX100-801	230-50	87	2.56 / 0.18	50	16.5	7.5
DBMX120-1250	120-60	128	2.84 / 0.20	46	19.4	8.8
DBMX120-801	230-50	110	2.84 / 0.20	46	19.4	8.8

- All models include pigtail style electrical leads
- Low noise and vibration
- Over-stroke protection
- **UL** listed to **UL** 1450 air compressor/vacuum pump and Canadian Standard C22.2 No 68-92
- **CE** In compliance with the European Community's Machinery Directive

## Product Performance (Typical Operating Range: 1.4 to 3.6 psi)



1-800-292-9087

SEPTIC SEWAGE PUMPS.COM