



AC Motor



DC Motor

Models R1102, R1102C, R1102K

Max. Pressure – 28.5 inH₂O (60 Hz), 21 inH₂O (50 Hz)

Max. Vacuum – 26.5 inH₂O (60 Hz), 20 inH₂O (50 Hz)

Max. Air flow – 27 CFM (60 Hz), 23 CFM (50 Hz)

PRODUCT FEATURES

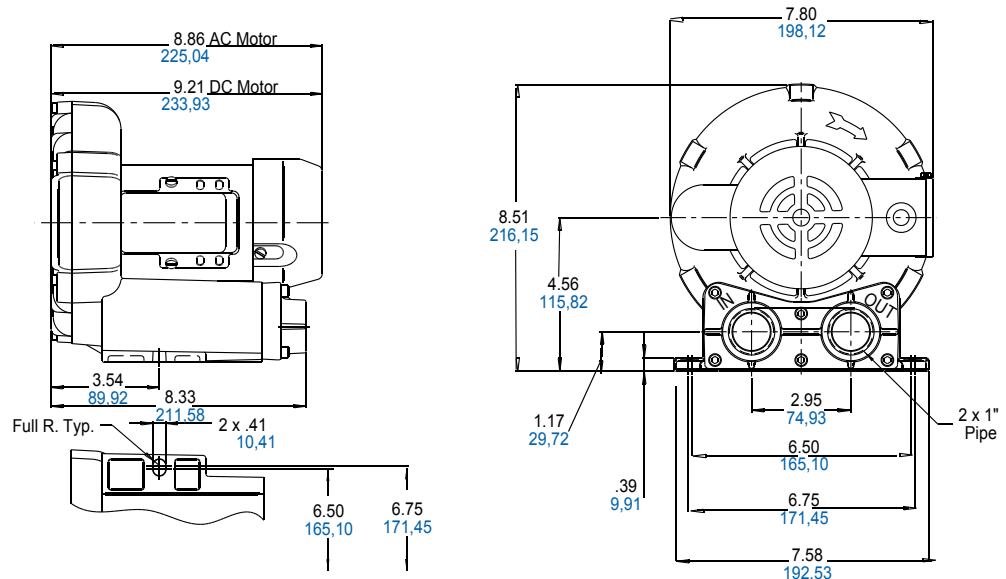
- Rugged construction, low maintenance
- Oilless operation
- UL and CSA approved TEFC motors with permanently sealed ball bearings
- Automatic restart thermal protection on single phase AC motors
- Estimated 3,000 hour brush life on 12 volt DC motor
- Can be operated with no air flow through unit.
- Aluminum blower housing, impeller, and cover
- Can be mounted in any plane
- Inlet and outlet have internal muffling

RECOMMENDED ACCESSORIES

- Pressure gauge AJ496
- Inlet filter AJ126B (pressure)
- Vacuum gauge AJ497
- Inline filter AJ151A (vacuum)
- Muffler AJ121B
- K899 foam replacement kit for R1102

Product Dimensions (inches, mm)

Models R1102, R1102C, R1102K,



Product Specifications

MODEL NUMBER		R1102	R1102C	R1102K	R1302
Motor Enclosure		TEFC	TEFC	TEFC	TEFC
HP/kW	60 Hz	.125/0,09	.125/0,09	.125/0,09	.125/0,09
	50 Hz	.10/0,07	-	-	.10/0,07
Voltage	60 Hz	115/208-230-1	115-1	12V DC	208-230/460-3
	50 Hz	110/220-240-1	-	-	190-220/380-415-3
Amps	60 Hz	2.0/1.1-1.0	1.8	19 @ 12V DC	1.0-1.1/5
	50 Hz	2.0/1.1-1.0	-	-	1.0-1.1/5-6
Starting Amps	60 Hz	8.5 @ 115V	9.7	145 @ 12V DC	3.7 @ 230
	50 Hz	8.6 @ 220V	-	-	3.6 @ 220
Insulation Class		B	B	H	B
Recommended NEMA Starter Size		00/00	00	-	00/00
Net Weight (lbs/kg)		16/7,3	16/7,3	16/7,3	16/7,3

Product Performance

